

15 Inch Fanless Dual Screen Touch POS

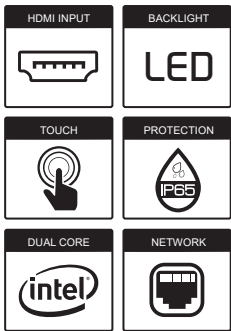
PC15-W41N-42P2

POS TOUCH

PC15 is a fanless with dual screen POS system that pushes the limits in modular design to the highest level. Every part of this POS system is design to be easily detachable, ensuring its users the ease of maintenance and longevity of the machine. The full-flat LCD monitor utilizes the advanced Projective Capacity Technology (PCT) and supports multi-touch operation.



15" Fanless Dual Screen Touch POS

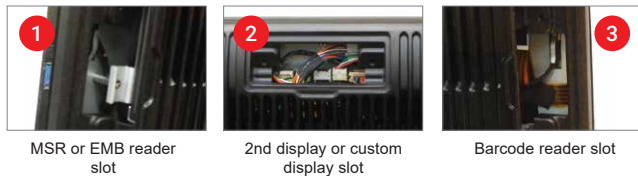


FEATURES

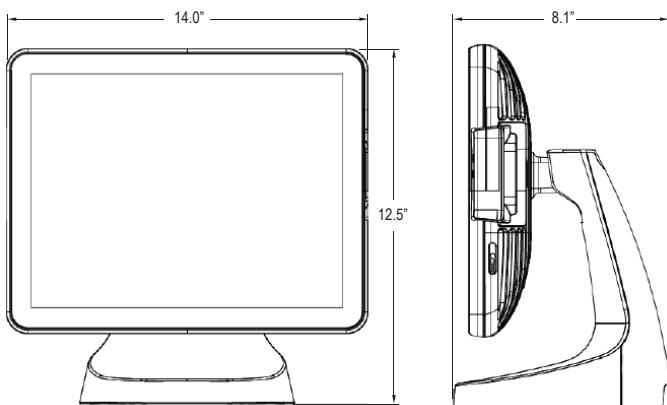
- Fanless Design
- 6th/7th Generation Intel® Core Processor
- DDR4 Memory, SATA 3.0, SATA III, RAID 0 / 1, Intel i-AMT
- Support Up To 2 External Signage Display
- Aluminum Back Cover for Optimal Thermal Dissipated
- IP65 / NEMA-4 Front Bezel Compliant

SPECIFICATIONS

INPUT AND ADVANTAGES



DIMENSIONS



| DISPLAY | | PC15-W41N-42P2 |
|---------------------|--|----------------|
| Screen Size | 15 In | |
| Resolution | 1024 x 768 | |
| Touch Screen | 10-Points PCAP Touch | |
| Tilt Angle | 15 to 80 degrees | |
| MAIN BOARD | | |
| CPU | Intel® i3-6100TE (2.7GHz, Dual Core, 4M Cache) | |
| Chipset | Q170 Chipset | |
| System Memory | 2 DDR4 SO-DIMM Socket, up to 32GB | |
| Graphic | Intel® HD Graphics | |
| STORAGE | | |
| HDD Type | 1 x 2.5" SATA III | |
| RAID | RAID 0 / 1 | |
| INTERFACE | | |
| Parallel | 1 x DB-25 Parallel Port | |
| USB Ports | 4 x USB 3.0, 2 x USB 2.0 or Power USB (1 x 12V/2A and 1 x 24V/3A) | |
| Serial Ports | 4 x COM (COM1/2 DB9 with RI/+5VDC Output by BIOS, COM3~4 8P8C with RI/+5VDC/ +12VDC Output by Jumper) | |
| LAN | 2 x RJ45, Giga LAN Support, 1 x Intel I219 LAN, RJ45, 1 x Realtek RTL811G, RJ45 | |
| VGA | 1 x Reserved (MAX. Resolution: 1920 x 1080) for 2nd Display | |
| HDMI | 1 x HDMI | |
| Cash Drawer | 1 x RJ-11, +12VDC / +24VDC by Jumper Select | |
| Audio | 1 x Line Out | |
| DC In / Out | 1 x +12VDC / 1 x +12VDC | |
| MECHANICAL | | |
| Power Adapter | +12V/7.5A, 90W External Power, +12V/12.5A, 150W External Power (Option fo Power USB) 100VAC ~ 240VAC, 50/60Hz | |
| Compliance | FCC/CE/LVD/BSMI/CB/WEEE/RoHS | |
| Color | Black / White | |
| TEMPERATURE | | |
| Operating | 32° F ~ 104° F (0° C ~ 40° C) | |
| DIMENSIONS (WxHxD) | | |
| Inch (in) | 14.0 x 12.5 x 8.1 | |
| Millimeter (mm) | 356 x 318 x 207 | |
| WEIGHT | | |
| Net Weight | 19.8 lbs (9kg) | |
| OPTIONS | | |
| Optional Peripheral | 2nd Display | |
| | MSR / EMB Reader, NFC, Chip Card Reader | |
| | Barcode Reader | |

Specifications subject to change without any notice