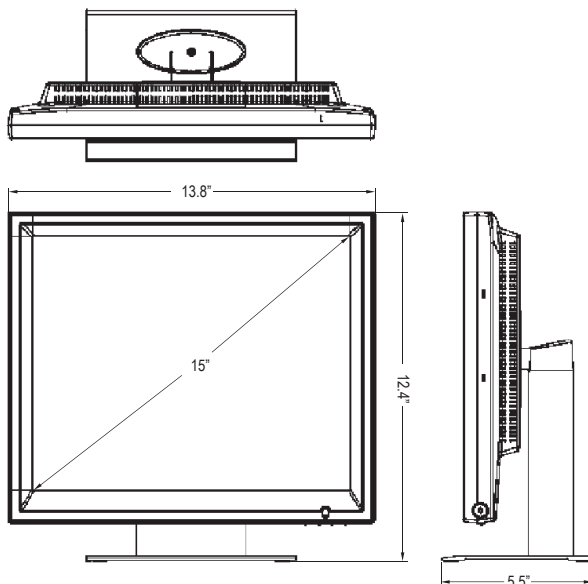


MA15BX-AB-459G

Gvision's MA15BX is a 15" industrial grade medical monitor designed specifically for use in the medical industry. It's the perfect touch screen solution for healthcare applications such as nursing stations, computer-aided therapy, electronic medical record keeping, paperless charting, patient self-check-in / registration or point-of-information.

DIMENSIONS



FEATURES

- 15" Screen Size, 1024 x 768 Resolution
- 5-wire Resistive Touch Panel (Optional)
- Customizable Video Inputs
- Supporting Inputs: DVI-D, VGA
- 250 Nits High Brightness
- LED-Direct Backlight Unit
- Integrated Stereo Speakers
- Designed for 24/7/365 Operation
- 3-Years Warranty

SPECIFICATIONS

MODEL	MA15BX-AB-459G
Screen Size	15 In
Resolution	1024 x 768
Backlight	LED
Aspect Ratio	4 : 3
Viewing Angle	140° / 130°
Response Time	8ms
Brightness	250cd/m ²
Contrast Ratio	700 : 1
Display Area	304.1 (H) x 228.1 (V)
INTERFACE	
DVI In	1
VGA In	1
USB-B Type	1 (w/ Touch Option)
RS232	1 (w/ Touch Option)
SPEAKER	
Audio	1W Per Channel
TOUCH	
Touch Type	Resistive
Touch Panel	5-wire Resistive (Option)
Touch Interface	RS-232 or USB B type
POWER	
Input Voltage	DC12V
Consumption	< 5W
Saving Mode	< 0.5W
TEMPERATURE	
Operating	32° F ~ 104° F (0° C ~ 40° C)
Storage	-4° F ~ 140° F (-20° C ~ 60° C)
Humidity	10% ~ 80%
DIMENSIONS (WxHxD)	
Inch (in)	13.8 x 12.4 x 5.5
Millimeter (mm)	351 x 314.5 x 140
WEIGHT	
Net Weight	9.9 lbs (4.5 kg)
VESA™	
Mount Size (mm)	75 x 75

Specifications subject to change without any notice