

K19BH-FB Series

SXGA 1280x1024 Resolution / 5-Wire Resistive Touch

8.4"

Model Name:

- K19BH-FB-0010
- K19BH-FB-0690



// DESCRIPTIONS

The Gvision K19BH series features an 19" kiosk and open-frame touchscreen monitor, offering versatility for standalone display or seamless integration into a kiosk setup. Constructed with a sturdy all-metal chassis, its durability facilitates effortless integration with your kiosk enclosure. This unit supports 5-wire resistive touch, making it suitable for touchscreen environments where such functionality is required.

It features a fully enclosed, all-metal chassis design, facilitating seamless integration and optimal performance in continuous 24/7 operation throughout the year.

// KEY FEATURES

- 19-Inch Screen Size
- High Contrast TFT SXGA 1280 x 1024 Resolution
- 5-Wire Resistive Touch (*K19BH-FB-0690 Only*)
- Interface: DVI/ VGA/ USB (*K19BH-FB-0690 Only*)
- Flexible Mounting Solutions: Front/ Rack/ VESA Mounting
- Rugged All-Metal Enclosed Chassis
- Design to Operate 24 / 7 / 365
- 3-Year Warranty



// SPECIFICATIONS

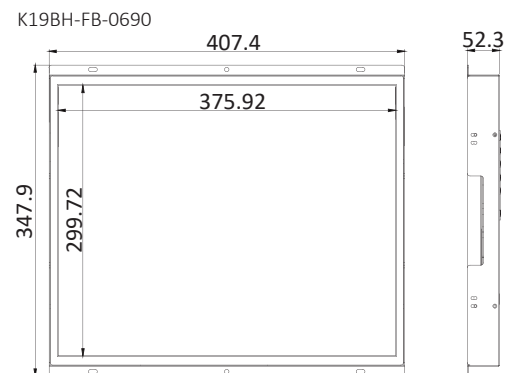
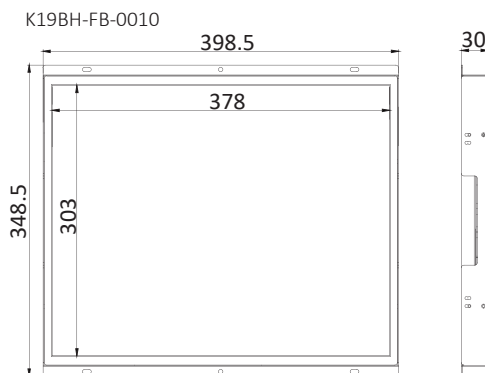
	K19BH-FB-0010	K19BH-FB-0690
DISPLAY		
Size	19 In	19 In
Resolution	1280 x 1024	1280 x 1024
Display Area (mm)	376.32(H) x 301.06(V)	376.32(H) x 301.06(V)
Aspect Ratio	5 : 4	5 : 4
Viewing Angle	170° / 160°	170° / 170°
Response time	15ms	15ms
Brightness	250cd/m ²	250cd/m ²
Contrast Ratio	1000:1	600:1
Color Depth	16.7M	16.7M
Backlight	LED	LED
INTERFACE		
Ports	DVI x1, VGA x1	DVI x1, VGA x1, USB Type-B x1
TOUCH TECHNOLOGY		
Technology	Option	Resistive
Type	Option	5-Wire
CABINET		
Color/Material	Silver / Metal	Silver / Metal
POWER		
Consumption	10W	TBD
Rating	DC12V (100~240V,50~60Hz)	DC12V (100~240V,50~60Hz)
TEMPERATURE		
Operating / Storage	32° F ~ 104° F (0° C ~ 40° C) / -4° F ~ 140° F (-20° C ~ 60° C)	
DIMENSIONS (WxHxD)		
Inch / Millimeter	15.68 x 13.72 x 1.18 / 398.5 x 348.5 x 30	16.0 x 13.7 x 2.0 / 407.4 x 347.9 x 52.3
WEIGHT		
Net Weight	7.27 lbs (3.3 kg)	10 lbs (4.5 kg)
VESA™		
Mount Size (mm)	75 x 75	75 x 75
REGULATION		
Certification	CE / FCC	CE / FCC

// ORDERING INFO

Model Number	
K19BH-FB-0010	Non-Touch
K19BH-FB-0690	5-Wire Resistive Touch / USB Type-B

// DIMENSIONS

Unit: mm



Note: Panel and specifications subject to change without notice.