

K08AS Series

800x600 Resolution / Resistive Touch / TAA Compliant

8.4"

Model Name:

- K08AS-CA-0010
- K08AS-CA-0620
- K08AS-CA-0630



// DESCRIPTIONS

The Gvision K08AS series features an 8.4" kiosk and open-frame touchscreen monitor, offering versatility for standalone display or seamless integration into a kiosk setup. Constructed with a sturdy all-metal chassis, its durability facilitates effortless integration with your kiosk enclosure. This unit supports 5-wire resistive touch, making it suitable for touchscreen environments where such functionality is required.

Our K08AS series is TAA compliant, making it suitable for government project requirements.

// KEY FEATURES

- 8.4" Screen Size
- 800 x 600 Resolution
- 5-Wire Resistive Touch (*K08AS-CA-0620 & 0630 Only*)
- Interface: VGA/ RS232 Serial (*K08AS-CA-0620 Only*)
- Interface: VGA/ USB (*K08AS-CA-0630 Only*)
- Versatile Standalone or Integrated Use
- Rugged & Durable All Metal Chassis
- TAA Compliant
- 3-Year Warranty



TAA
COMPLIANT

LED
Backlight
Unit



// SPECIFICATIONS

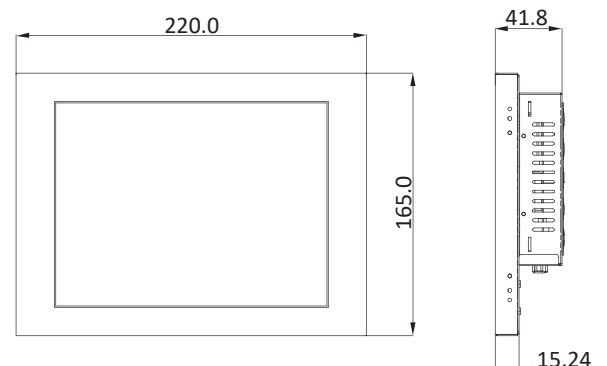
	K08AS-CA-0010	K08AS-CA-0620	K08AS-CA-0630
DISPLAY			
Size	8.4 In	8.4 In	8.4 In
Resolution	800 x 600	800 x 600	800 x 600
Display Area (mm)	170.4(H) x 127.8(V)	170.4(H) x 127.8(V)	170.4(H) x 127.8(V)
Aspect Ratio	4 : 3	4 : 3	4 : 3
Viewing Angle	160° / 150°	160° / 150°	160° / 150°
Response time	30ms	30ms	30ms
Brightness	250cd/m ²	250cd/m ²	250cd/m ²
Contrast Ratio	600:1	600:1	600:1
Color Depth	16.7M	16.7M	16.7M
Backlight	LED	LED	LED
INTERFACE			
Ports	VGA x1	VGA x1, RS232 x1	VGA x1, USB x1
TOUCH TECHNOLOGY			
Technology	Option	Resistive	Resistive
Type	Option	5-Wire	5-Wire
CABINET			
Color/Material	Black / Metal	Black / Metal	Black / Metal
POWER			
Consumption	36W	36W	40W
Rating	DC12V 3.3A (100~240V,50~60Hz)	DC12V 3.3A (100~240V,50~60Hz)	DC12V 3.3A (100~240V,50~60Hz)
TEMPERATURE			
Operating / Storage	32° F ~ 104° F (0° C ~ 40° C) / -4° F ~ 140° F (-20° C ~ 60° C)		
DIMENSIONS (WxHxD)			
Inch / Millimeter	8.6 x 6.4 x 1.6 / 220.0 x 165.0 x 41.8		
WEIGHT			
Net Weight	3.9 lbs (1.8kg)	3.9 lbs (1.8kg)	3.9 lbs (1.8kg)
VESA™			
Mount Size (mm)	75 x 75	75 x 75	75 x 75
REGULATION			
Certification	CE / FCC	CE / FCC	CE / FCC
COMPLIANT			
TAA Compliant	Yes	Yes	Yes

// ORDERING INFO

Model Number	
K08AS-CA-0010	Non-Touch
K08AS-CA-0620	5-Wire Resistive Touch / RS232 Serial
K08AS-CA-0630	5-Wire Resistive Touch / USB

// DIMENSIONS

Unit: mm



Note: Panel and specifications subject to change without notice.