



**ANTIBACTERIAL**

**RESOLUTION**

**1080P FULL HD**

**HDMI INPUT**

**DVI INPUT**

**SGS REPORT**

**PCAP TOUCH**

**WARRANTY**

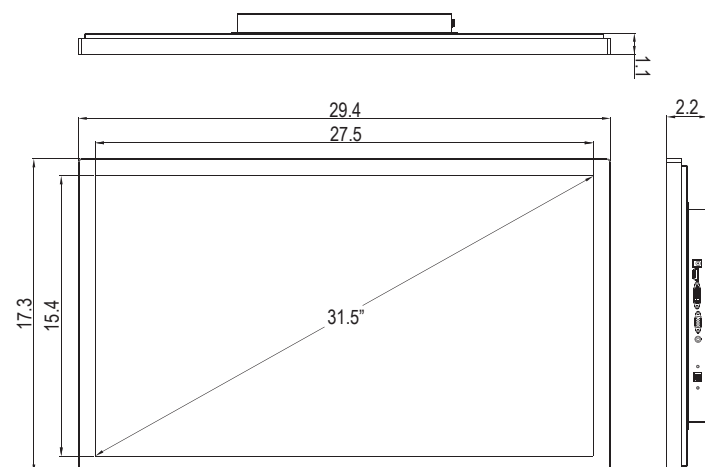
**3 YEAR**

## AB32ZD-OV-45P0

Gvision's most advanced antibacterial monitor can be used in hospitals, restaurants or anywhere else where human hygiene is a concern, the AB Series destroys bacteria and harmful microorganisms on contact. It is chemically bonded to the surface, making it a permanent part of the touch-screen and allowing it to remain functional even after long-term use. SGS Standards Technical Services tested and pass the value of antimicrobial activity against common bacteria.

### DIMENSION

Unit: Inch



### FEATURES

- 31.5-Inch Screen Size / 1920 x 1080 Full HD Resolution
- Long Acting **Antibacterial** Screen
- **SGS** Report Pass the Value of **Antimicrobial** Activity
- **HDMI / DVI-D / VGA / Audio** Input Connectors
- **10-Point PCAP** Projected Capacitive Touch Technology
- **IP65 Waterproof / Dust Proof / Vandal Proof**
- **LED** Backlight Unit
- **178° / 178°** Viewing Angle, **16 : 9** Aspect Ratio
- **3-Year** Warranty

### SPECIFICATIONS

**1080P FULL HD**

DISPLAY	
Screen Size	AB32ZD-OV-45P0 31.5 In
Resolution	1920 x 1080
Backlight	LED
Aspect Ratio	16 : 9
Viewing Angle	178° / 178°
Response Time	8ms
Brightness	300cd/m <sup>2</sup>
Contrast Ratio	1200 : 1
Color Depth	16.7M
INTERFACE	
HDMI	1
DVI	1
VGA	1
Audio	Option
TOUCH TECHNOLOGY	
Type	Projected Capacitive (PCAP)
Points	10-Point
Interface	USB (B-Type)
SPECIAL FEATURES	
Glass	<b>Prevent Bacteria</b>
Waterproof	IP65
Dust Proof	Yes
Vandal Proof	Yes
CABINET	
Material	Metal
Color	Black
POWER	
Consumption	50W
Electrical Ratings	AC 100V ~ 240V, 50/60Hz
TEMPERATURE	
Operating	32° F ~ 122° F (0° C ~ 50° C)
Storage	-4° F ~ 140° F (-20° C ~ 60° C)
DIMENSIONS (WxHxD)	
Inch (in)	29.4 x 17.3 x 2.2
Millimeter (mm)	747.4 x 441.3 x 58.6
WEIGHT	
Net Weight	26.4 lbs (12 kg)
COMPLIANT	
Certification	CE
VESA™	
Mount Size (mm)	200 x 200

*Specifications subject to change without any notice*